

## K/KA BAND POLARIZER

### OVERVIEW

The K/Ka band polarizer is developed for broadband telecom market. It operates in dual frequency bands and in dual polarization modes. The design is compact, low in mass and manufacture-friendly with excellent RF performance.

This polarizer is often used in conjunction with K/Ka band orthogonal mode transducer (TAC\_1931\_K/Ka Band 4-port OMT) to achieve dual circular polarizations and dual frequency band operations simultaneously in telecom system.

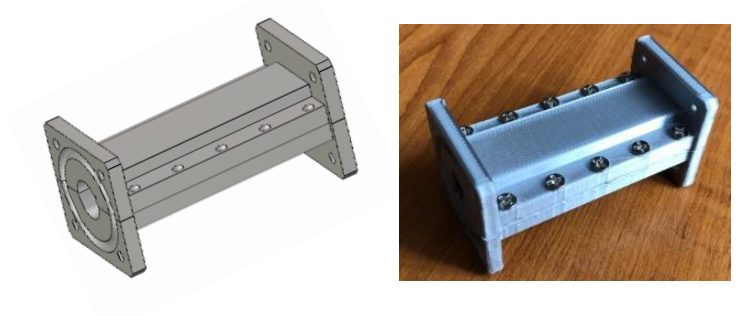
### KEY FEATURES

- K/Ka dual Frequency bands
- Compact design
- Orthogonal polarization between bands
- Low return loss
- Low insertion loss
- Low axial ratio
- Low PIM design
- Low risk multi packings design

### CONTACT US

[Info@TechAppConsultants.com](mailto:Info@TechAppConsultants.com)  
[www.TechAppConsultants.com](http://www.TechAppConsultants.com)

### DESIGN AND PROTOTYPE UNIT



### SPECIFICATIONS

Parameter	Specification	Note
Frequency [1] (GHz)	19.2 – 20.2	Downlink
	29.0 – 30.0	Uplink
Polarization	Dual linear	Square waveguide port
	Dual circular	Circular waveguide port
Insertion loss (dB)	0.15	
Interface	Square waveguide	To OMT
	Circular waveguide	To antenna
Axial ratio (dB)	1.0	
Return loss (dB)	-20	
PIM	Low	Low PIM design
Multipaction	Low	Low risk multipaction design
Dimension (mm)	34x34x68	Including the WG flange
Mass (g)	<100	

[1] These are the typical specifications. There is a range of designs with different dimensions and operating frequencies to choose from to meet different applications and requirements

**IT DOES MORE. IT COSTS LESS. ANTENNAS MADE FOR YOU.**

(Figures quoted are for information only and subjected to change. All right reserved.)